

Marefa
Tub Filler



FEATURES



Single or Dual lane machines

All contact parts manufactured from stainless steel and/or non-corrosive materials. Perspex interlocking safety doors & panels.

SEW geared drive units with variable speed control.

Magazine fed system with pneumatic cup-suckers for automatic dispensing. Automatic cup dispensing to discharge conveyor.

Optional discharge conveying & accumulation table. Pneumatic float controlled product reservoir.

Volume-adjustable filling pumps – Piston pumps with pneumatic actuated shut off nozzles.

Cream filling option.

Magazine fed lid/foil application system. Heat sealing for foil lids.

Individual temperature control for both elements.

Retroflective 'No tub'-'no fill/seal' sensors.

Control panel with: Emergency stop.

Low air-pressure alarm.

Displays for heating elements



TECHNICAL INFORMATION

MAXIMUM FILLING SPEEDS

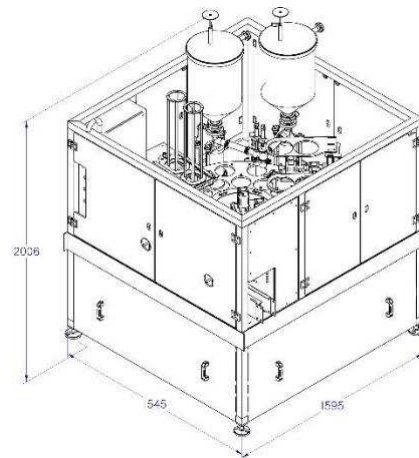
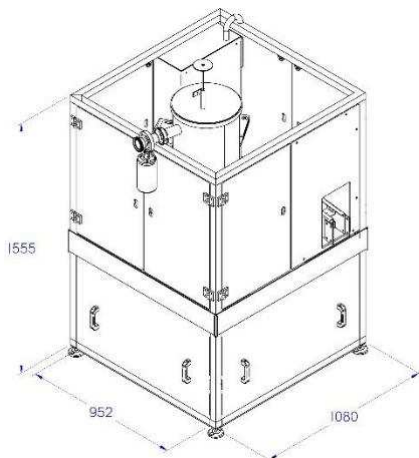
	CONTAINER	TUBS PER HOUR
Single Lane	100mL to 1L Tubs	±1800
Dual Lane (28-pocket)	100ml to 1L Tubs	±3200
Dual Lane (40-pocket)	100ml-500ml Tubs	±3500

NOTE: Filling speeds may vary as they are subject to cup design and product viscosity.

	Single Lane 8 Pocket	Dual Lane 28 Pocket	Dual Lane 40 Pocket
Electrical power consumption	1kW (depending on accessories)	1.2kW (depending on accessories)	1.2kW (depending on accessories)
Voltage	220V Single-Phase + Earth	380V 3-Phase + Neutral & Earth	380V 3-Phase + Neutral & Earth
Physical size	1050 x 1200 x 2050mm (l x w x h)	1620 x 1600 x 2050mm (l x w x h)	1600 x 2010 x 2050mm (l x w x h)
Accumulation table size	1900 x 600 x 1000+-50mm (l x w x h)	1900 x 600 x 1000+-50mm (l x w x h)	1900 x 600 x 1000+-50mm (l x w x h)
Air consumption	300l/min @ 6bar	500l/min @ 6 bar	550l/min @ 6 bar
Crated mass	400kg	800kg	800kg

Single Lane Tub Filler : 8 Pockets

Dual Lane - 28 & 40 Pockets



Machine Options

Standard single & Dual lane machine

- Foil
- Tamper Lid
- Foil or Tamper lid
- Foil & over Cap

Standard piston or lobe pump with PLC control
Close pitch option for low viscosity products.