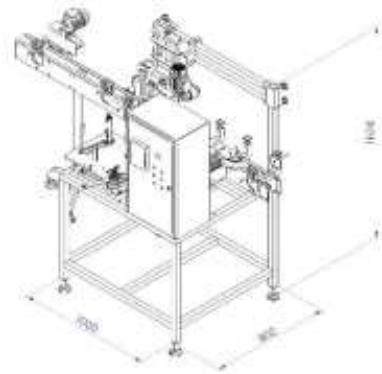




Marefa
Self-adhesive Labeler



- Servo drive for precision labeling
- Adjustable label height
- Can be configured to do wrap around labeling

APPROXIMATE LABELING SPEEDS

Up to 150 bottles a minute with specified bottles

NOTE: Labeling speeds may vary as they are subject to bottle design and operator efficiencies.

TECHNICAL INFORMATION

Crated size	1 300 X 1 400 X 700mm
Mass	90 KG
Electrical Consumption	0.5 kW
Voltage	380V THREE PHASE

Marefa Technologies (Pty) Ltd

Company Details

Reg Nr: 2014/133754/07

VAT Nr: 4960268185

Tel Nr: 021 180 4161

Physical Address

Unit 17, Hugenot Park, c/o Klein Drakenstein &

Van Der Merwe Street

Paarl 7646

Western Cape, South Africa

Director

E Le Roux

www.marefa.co.za